

SF高频品 (CD288型)

- 高频品, 85℃, 低 ESR
● High frequency, 85℃, Low ESR
● 适用于彩电、音响等开关电源
Used in color-TV, audio set switching power supply, etc.
● ROHS 指令已对应完毕。
Adapted to the ROHS directive.



主要技术性能 Specifications

Table with columns for Items and Performance Characteristics, including operating temperature range (-40 ~ +85 °C), rated voltage range (6.3 ~ 100V), and capacitance tolerance.

外形图及尺寸表 Case size table

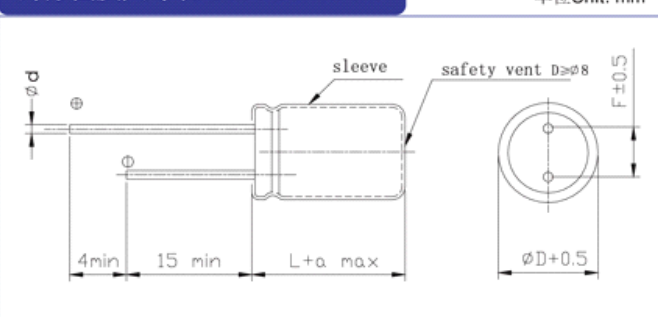


Table with dimensions D (5, 6.3, 8, 10, 12.5, 16, 18) and F (2.0, 2.5, 3.5, 5.0, 5.0, 7.5, 7.5).

Table with alpha MAX values: (L < 20) 1.5, (L >= 20) 2.0

尺寸 DIMENSIONS

Large table listing dimensions and electrical parameters for various capacitor types (6.3V, 10V, 16V, 25V) across different capacitance values and case sizes.

Large table listing dimensions and electrical parameters for higher voltage capacitor types (35V, 50V, 63V, 100V) across different capacitance values and case sizes.

Impedance (20°C / 100KHz) 额定纹波电流 Rated ripple current (mA, +85°C, 100KHz)

尺寸 DIMENSIONS

| 电压 $C_R(\mu F)$ | 电压 U_R 代码 Code | 160V | | 200V | | 250V | | 400 | | 450V | |
|-----------------|---------------------|---------|-----|---------|-----|---------|-----|---------|-------|---------|-------|
| | | 2C | | 2D | | 2E | | 2G | | 2W | |
| 1 | 010 | 8×11.5 | 19 | 8×11.5 | 19 | 8×11.5 | 19 | 10×12.5 | 17 | 10×16 | 17 |
| 2.2 | 2R2 | 8×11.5 | 30 | 8×11.5 | 30 | 10×12.5 | 32 | 10×16 | 28 | 10×20 | 28 |
| 3.3 | 3R3 | 10×12.5 | 50 | 10×12.5 | 50 | 10×16 | 52 | 10×20 | 47 | 12.5×20 | 48 |
| 4.7 | 4R7 | 10×12.5 | 57 | 10×16 | 57 | 10×20 | 60 | 12.5×20 | 55 | 12.5×25 | 55 |
| 10 | 100 | 10×16 | 90 | 10×20 | 90 | 12.5×20 | 98 | 12.5×25 | 85 | 16×25 | 90 |
| 22 | 220 | 12.5×20 | 140 | 12.5×25 | 140 | 16×25 | 150 | 16×30 | 12.50 | 16×25 | 12.55 |
| 33 | 330 | 12.5×25 | 175 | 16×25 | 175 | 16×25 | 180 | 18×35 | 170 | 18×40 | 170 |
| 47 | 470 | 16×25 | 220 | 16×25 | 220 | 16×30 | 225 | | | | |
| 100 | 101 | 16×35 | 330 | 18×40 | 330 | 18×40 | 345 | | | | |

└── 额定纹波电流 Rated ripple current(mA, +85°C, 100KHz)

■ 允许纹波电流频率修正系数

FREQUENCY COEFFICIENT OF ALLOWABLE RIPPLE CURRENT

